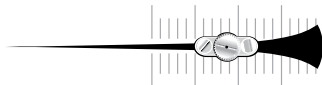


Process Gauges



PROCESS GAUGE

- 4½" and 6" Dials
- 4 Safecase Designs
- Pressure Ranges Vacuum to 20,000 psi
- Dry or Liquid Filled
- Micrometer Pointer

Marsh Process Gauges are the industry standard in performance. With over 125 years of proven experience, Marsh offers the most complete line of process instrumentation in the industry. An extensive list of designs and options makes the Marsh line of Process Gauges the intelligent and practical choice in process instrumentation. All case styles feature safecase solid-front construction.

Typical applications include chemical and petroleum chemical processes, compressors, power plants and oil platforms.

SPECIFICATIONS

ACCURACY

ASME Grade 2A – ±0.5% of full scale

CASE SIZES

4½" and 6" diameter

CASE MATERIAL

Safecase polypropylene (turret style only) & safecase aluminum

CASE STYLE

4½": G – Back flanged case (aluminum)

H – Front flange hinged ring (aluminum)

T – Turret (polypropylene)

6": G – Back flanged case

TUBE & SOCKET

Copper alloy or 316 stainless steel

MOVEMENT

Stainless Steel

CONNECTION

¼ or ½ NPT

LM – Lower Mount

LBM – Lower Back Mount

RANGES

0 to 30" Hg VAC; Compound 30" Hg VAC to 300 psi; 15 to 20,000 psi

DIAL STANDARD

Single Scale psi

DIAL COLOR

Black markings on white

POINTER

Aluminum, black painted, micro-adjustable

WINDOW

Safety Glass

FILL MEDIUM

Dry or filled. Note: ALL 4½" lower mount Process Gauges are field-fillable. Optional factory filled glycerine or silicone

SAFECASE

Safecase construction standard on all Process Gauges

VENT

Internal compensating diaphragm

WEIGHT

Aluminum 5.0 lb. Dry

Polypropylene 3.0 lb. Dry

Aluminum 6.0 lb. Filled

Polypropylene 4.0 lb. Filled

STANDARD RANGES & PART NUMBERS

TYPE	PROCESS GAUGES					
	4½"			4½"		
Size	Polypropylene			Polypropylene		
Case Material	Copper Alloy			Stainless Steel		
Internals	LM	LBM	LM	LBM	LM	LBM
Mounting	T	T	T	T	T	T
Case Style	¼ NPT	¼ NPT	½ NPT	½ NPT	¼ NPT	¼ NPT
Connection	psi	psi	psi	psi	psi	psi
Scale Standard	P0105	P0205	P0505	P0605	P5105	P5205
0 to 30" Hg VAC	P0110	P0210	P0510	P0610	P5110	P5210
30" Hg VAC to 15 psi	P0112	P0212	P0512	P0612	P5112	P5212
30" Hg VAC to 30 psi	P0114	P0214		P0614	P5114	P5214
30" Hg VAC to 60 psi	P0116	P0216	P0516	P0616	P5116	P5216
30" Hg VAC to 100 psi	P0120	P0220	P0520	P0620	P5120	P5220
30" Hg VAC to 200 psi	P0124	P0224	P0524	P0624	P5124	P5224
30" Hg VAC to 300 psi	P0140	P0240	P0540	P0640	P5140	P5240
0 to 15 psi	P0142	P0242	P0542	P0642	P5142	P5242
0 to 30 psi	P0146	P0246	P0546	P0646	P5146	P5246
0 to 60 psi	P0148	P0248	P0548	P0648	P5148	P5248
0 to 100 psi	P0152	P0252	P0552	P0652	P5152	P5252
0 to 160 psi	P0154	P0254	P0554	P0654	P5154	P5254
0 to 200 psi	P0158	P0258	P0558	P0658	P5158	P5258
0 to 300 psi	P0160	P0260	P0560	P0660	P5160	P5260
0 to 400 psi	P0164	P0264	P0564	P0664	P5164	P5264
0 to 600 psi	P0168	P0268	P0568	P0668	P5168	P5268
0 to 1,000 psi			P0574		P5174	P5274
0 to 1,500 psi			P0576		P5176	P5276
0 to 2,000 psi			P0578		P5178	P5278
0 to 3,000 psi			P0582		P5182	P5282
0 to 5,000 psi			P0590		P5190	P5290
0 to 10,000 psi					P5192	P5292
0 to 15,000 psi					P5194	P5294
0 to 20,000 psi						

Add "P" Suffix to P/N for Liquid Filling with Glycerine, add "PI" for Silicone.

NOTE: Lower back mount gauges are not fillable

NOTE: Items are available on special order. However, minimums and lead times apply. Consult factory.



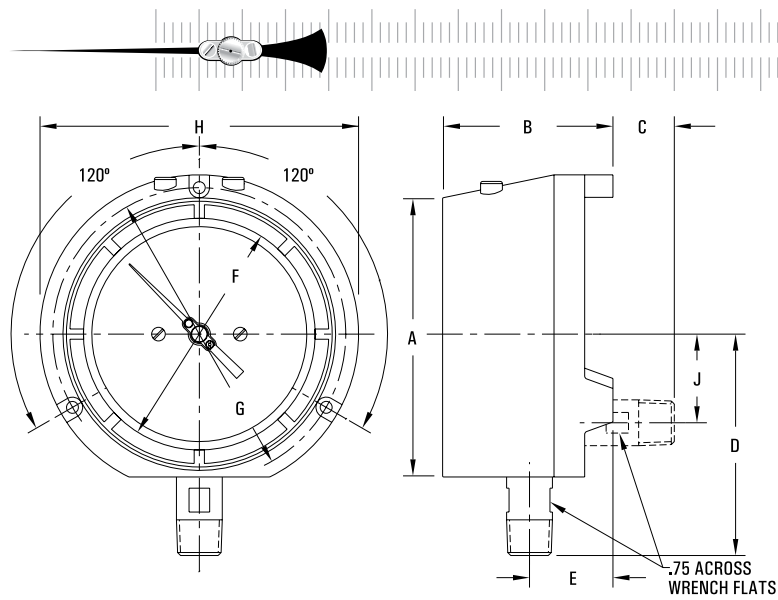
PROCESS GAUGES - STANDARD RANGES & PART NUMBERS						
TYPE	4½"		4½"		4½"	
Size	4½"		4½"		4½"	
Case Material	Polypropylene		Aluminum		Aluminum	
Internals	Stainless Steel		Copper Alloy		Stainless Steel	
Mounting	LM	LBM	LM	LBM	LM	LM
Case Style	T	T	G	H	G	G
Connection	½ NPT	½ NPT	¼ NPT	¼ NPT	½ NPT	½ NPT
Scale Standard	psi	psi	psi	psi	psi	psi
0 to 30" Hg VAC	P5605	P5705	P10005	P16005	P14005	P14505
30" Hg VAC to 15 psi	P5610	P5710	P10010	P16010	P14010	P14510
30" Hg VAC to 30 psi	P5612	P5712	P10012	P16012	P14012	P14512
30" Hg VAC to 60 psi	P5614	P5714	P10014	P16014	P14014	P14514
30" Hg VAC to 100 psi	P5616	P5716	P10016	P16016	P14016	P14516
30" Hg VAC to 200 psi	P5620	P5720	P10020	P16020		
30" Hg VAC to 300 psi	P5624	P5724	P10024	P16024		
0 to 15 psi	P5640	P5740	P10040	P16040	P14040	P14540
0 to 30 psi	P5642	P5742	P10042	P16042	P14042	P14542
0 to 60 psi	P5646	P5746	P10046	P16046	P14046	P14546
0 to 100 psi	P5648	P5748	P10048	P16048	P14048	P14548
0 to 160 psi	P5652	P5752	P10052	P16052	P14052	P14552
0 to 200 psi	P5654	P5754	P10054	P16054	P14054	P14554
0 to 300 psi	P5658	P5758	P10058	P16058	P14058	P14558
0 to 400 psi	P5660	P5760	P10060	P16060	P14060	P14560
0 to 600 psi	P5664	P5764	P10064	P16064	P14064	P14564
0 to 1,000 psi	P5668	P5768	P10068	P16068	P14068	P14568
0 to 1,500 psi	P5674	P5774				P14574
0 to 2,000 psi	P5676	P5776				P14576
0 to 3,000 psi	P5678	P5778				P14578
0 to 5,000 psi	P5682	P5782				P14582
0 to 10,000 psi	P5690	P5790				P14590
0 to 15,000 psi	P5692	P5792				P14592
0 to 20,000 psi	P5694	P5794				P14594

Size	4½"			6"		6"	
Case Material	Aluminum			Aluminum		Aluminum	
Internals	Stainless Steel			Copper Alloy		Stainless Steel	
Mounting	LBM	LBM	LBM	LM	LM	LM	LM
Case Style	G	G	H	G	G	G	G
Connection	¼ NPT	½ NPT	¼ NPT	¼ NPT	½ NPT	¼ NPT	½ NPT
Scale Standard	psi	psi	psi	psi	psi	psi	psi
0 to 30" Hg VAC	P15005	P15505	P18005	P20005	P20505	P24005	P24505
30" Hg VAC to 15 psi	P15010	P15510	P18010	P20010	P20510	P24010	
30" Hg VAC to 30 psi	P15012	P15512	P18012	P20012	P20512	P24012	P24512
30" Hg VAC to 60 psi	P15014	P15514	P18014	P20014	P20514	P24014	P24514
30" Hg VAC to 100 psi	P15016	P15516	P18016	P20016	P20516	P24016	P24516
30" Hg VAC to 200 psi	P15020	P15520	P18020				
30" Hg VAC to 300 psi	P15024	P15524	P18024				
0 to 15 psi	P15040	P15540	P18040	P20040	P20540	P24040	P24540
0 to 30 psi	P15042	P15542	P18042	P20042	P20542	P24042	P24542
0 to 60 psi	P15046	P15546	P18046	P20046	P20546	P24046	P24546
0 to 100 psi	P15048	P15548	P18048	P20048	P20548	P24048	P24548
0 to 160 psi	P15052	P15552	P18052	P20052	P20552	P24052	P24552
0 to 200 psi	P15054	P15554	P18054	P20054	P20554	P24054	P24554
0 to 300 psi	P15058	P15558	P18058	P20058	P20558	P24058	P24558
0 to 400 psi	P15060	P15560	P18060	P20060	P20560	P24060	P24560
0 to 600 psi	P15064	P15564	P18064	P20064	P20564	P24064	P24564
0 to 1,000 psi	P15068	P15568	P18068	P20068	P20568	P24068	P24568
0 to 1,500 psi	P15074	P15574	P18074			P24074	P24574
0 to 2,000 psi	P15076	P15576	P18076			P24076	P24576
0 to 3,000 psi	P15078	P15578	P18078			P24078	P24578
0 to 5,000 psi	P15082	P15582	P18082			P24082	P24582
0 to 10,000 psi	P15090	P15590	P18090			P24090	P24590
0 to 15,000 psi	P15092	P15592	P18092			P24092	P24592
0 to 20,000 psi	P15094	P15594	P18094			P24094	P24594

Process Gauges



**TURRET CASE
"T"**

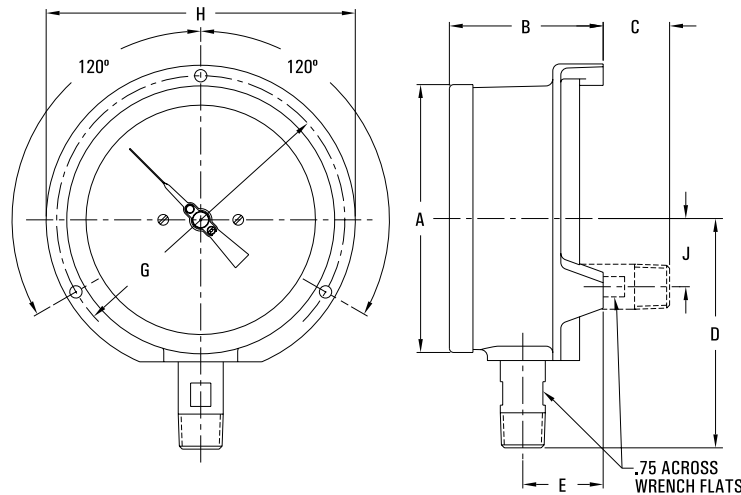


ALL DIMENSIONS ARE NOMINAL

Turret Panel Mounting Holes 0.22	Size	A	B	C	D	E	F	G	H	J
	4½"	5.00	3.13	1.13	4.28	1.53	4.13	5.38	5.85	1.27



**BACK FLANGE CASE
"G"**

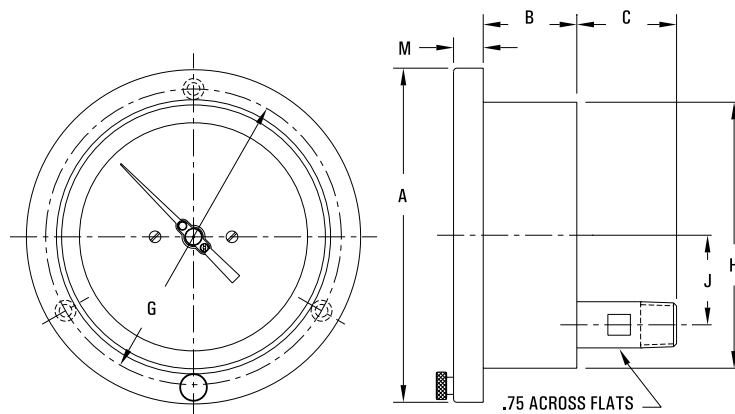


ALL DIMENSIONS ARE NOMINAL

Back Flanged	Size	A	B	C	D	E	G	H	J	23
	4½"	4.94	2.88	1.19	4.28	1.50	5.38	5.78	1.27	.23
	6"	6.63	2.88	1.19	4.97	1.50	7.00	7.50	1.27	.28



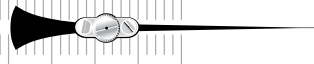
**FRONT FLANGE CASE
"H"**



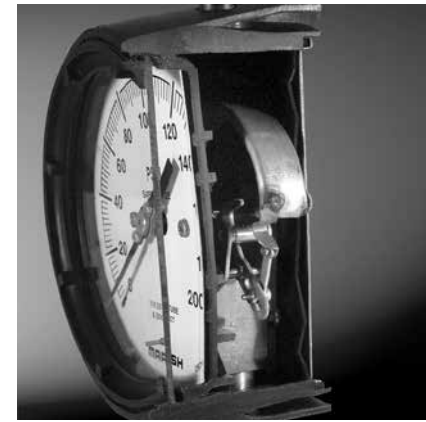
ALL DIMENSIONS ARE NOMINAL

Front Flanged Panel Mounting Holes 0.23	Size	A	B	C	G	H	J	M
	4½"	6.08	1.70	1.88	5.38	4.88	1.27	0.66





Process Gauges



PROCESS GAUGE OPTIONS			
OPTION	TYPE	SUFFIX	AVAILABLE ON MODELS
Restrictors	Add restrictor	H	All ranges
Fill Medium	Glycerine (GL)	P	4½" Lower Mount only (all ranges)
	Silicone (SL)	PI	4½" Lower Mount only (all ranges)
Catalog Dials	bar only	L1	See Marsh Price List for minimum
	kg/cm² only	L2	
	kPa only	L3	
	MPa only	L4	
	psi & bar	W1	
	psi & kg/cm²	W2	
	psi & kPa	W3	
Window	Instrument Glass (GS)	F1	4½" & 6"
	Acrylic	F2	4½" & 6"
	Safety Glass (SG)	F3	4½" & 6"
	Polycarbonate	F4	4½" & 6"
Cases	4½" Steel Case (LM or LBM)	J	4½" (Adjustable pointer only)
	6" Hinged Ring Steel Case with U-Clamp	J	6" (Adjustable pointer only)
Custom Dials	Logo or Custom Face	M	Consult factory for colors and minimums.

NOTE: 4½" Lower back mount, 6" Lower mount and 6" Lower back are not fillable (only available dry).



Dial Divisions	Process Gauge Series "P" 0.5% of Span			
Ranges	Figure Intervals	Minor Graduations		
Vacuum	3	0.2		
COMPOUND				
30" Hg VAC to 15 psi	5	3	0.5	0.2
30" Hg VAC to 30 psi	10	5	1	0.5
30" Hg VAC to 60 psi	10	10	1	0.5
30" Hg VAC to 150 psi	30	30	2	1
30" Hg VAC to 300 psi	30	30	5	2
PRESSURE				
0 to 15 psi	1	0.1		
0 to 30 psi	5	0.2		
0 to 60 psi	5	0.5		
0 to 100 psi	10	1		
0 to 160 psi	20	1		
0 to 200 psi	20	2		
0 to 300 psi	50	2		
0 to 400 psi	50	2		
0 to 600 psi	50	5		
HIGH PRESSURE				
0 to 1,000 psi	100	10		
0 to 1,500 psi	300	10		
0 to 2,000 psi	200	20		
0 to 3,000 psi	500	20		
0 to 4,000 psi	500	20		
0 to 5,000 psi	500	50		
0 to 10,000 psi	1,000	100		
0 to 15,000 psi	3,000	100		
0 to 20,000 psi	2,000	200		

