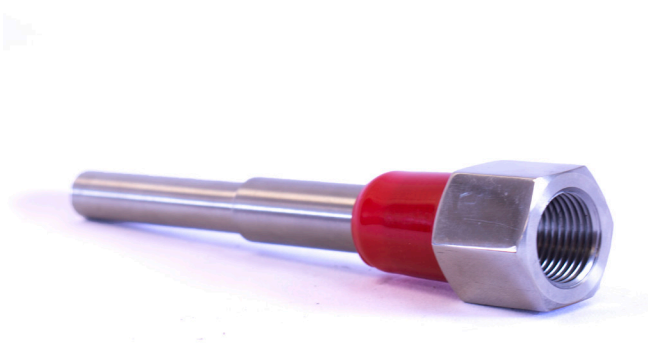


Bi-Metal Thermowells

Non-Lagging Options



Thermowells are protective sheaths used to allow for the safe installation and removal of temperature instruments. Thermowells also protect the instrument against process pressures and are offered in wide variety of materials to resist corrosion.

Product Specifications

Material

Brass
316 Stainless Steel
306 Stainless Steel

Instrument Connection

1/2" Standard

Process Connection

1/2", 3/4", 1" NPT

Standard Bore

0.260 Standard
Others Optional

Shank

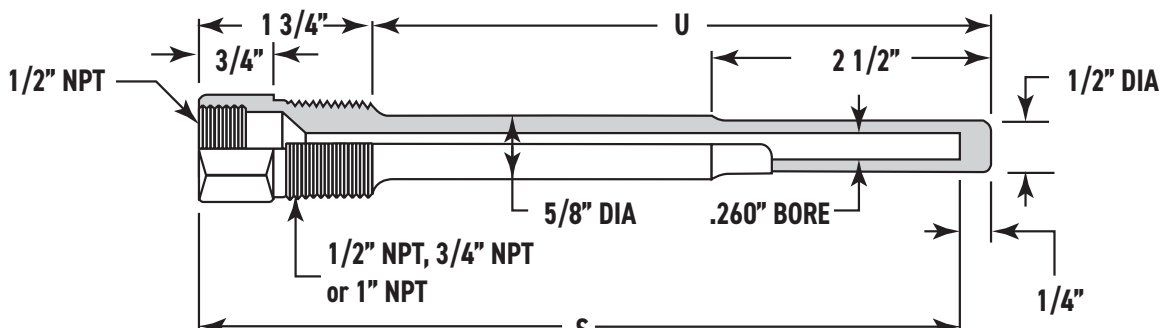
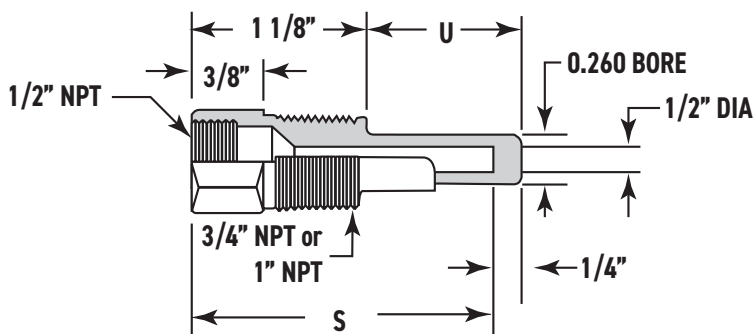
Stepped - Standard
Straight - Optional
Tapered - Optional

Options

Material Certificate
Custom Lengths
Custom Connection Sizes
Custom Materials

"S" Stem	"U" Insertion
2 1/2"	1 5/8"
4"	2 1/2"
6"	4 1/2"
9"	7 1/2"
12"	10 1/2"
18"	16 1/2"
24"	22 1/2"

Standard Product Dimensions - More Available on MarshGauges.com



Interested in ordering? Ordering information available at MarshGauges.com