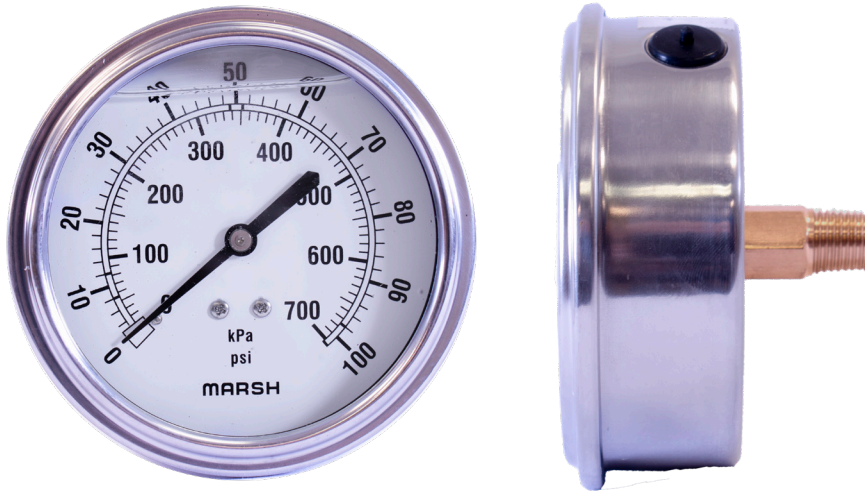


X Series

Stainless Steel Case / Brass Internals / 4" Center Back Mount

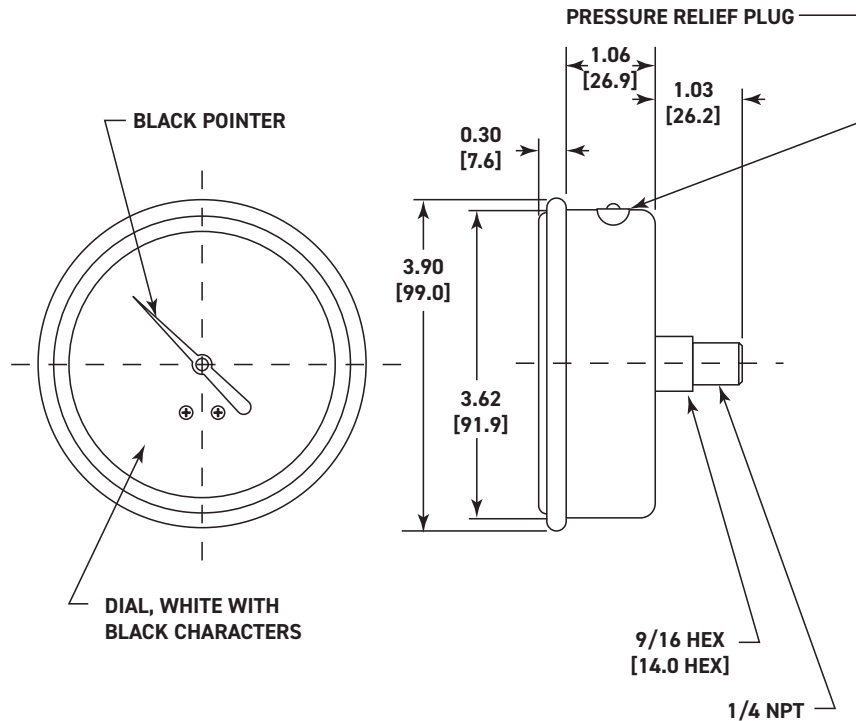


Marsh Instruments Severe Service Liquid Filled Gauges are designed to perform in rugged and harsh environmental conditions, especially where pulsation or vibration is a problem. Liquid Filled Gauges offer a significant cushioning and dampening effect, reducing pointer flutter and lubricating the internals.

Features:

- Liquid Filled for Dampening Effect
- Weatherproof/Hermetically Sealed
- $\pm 2\frac{1}{2}\%$ Accuracy

Product Dimensions



Product Specifications

Design	Meets/Exceeds ASME B40.100
Accuracy	$\pm 2\frac{1}{2}\%$ (ASME Grade A)
Dial Size(s)	4" Diameter (100 mm)
Case	304 Stainless Steel
Bezel	304 Stainless Steel - Fixed
Tube & Socket	Copper Alloy
Movement	Brass
Connection	$\frac{1}{4}$ NPT - Center Back Mount
Pressure Ranges	VAC/Compound to 10,000 psi
Standard Scale	Dual Scale psi and kPa
Dial Color	Black Markings on White
Pointer	Aluminum, Black Painted
Window	Acrylic
Standard Case Fill	Dry Glycerine Silicone
Ambient Temperature	Dry: -40° to 180°F Glycerine: 30° to 160°F Silicone: -40° to 180°F
Vent Plug	Filter/Pressure Relief Plug
Weight	0.5 lb.

Severe Service Gauges