

J76 Series - Liquid Filled

Stainless Steel Case / Brass Internals / 2.5" Lower Mount

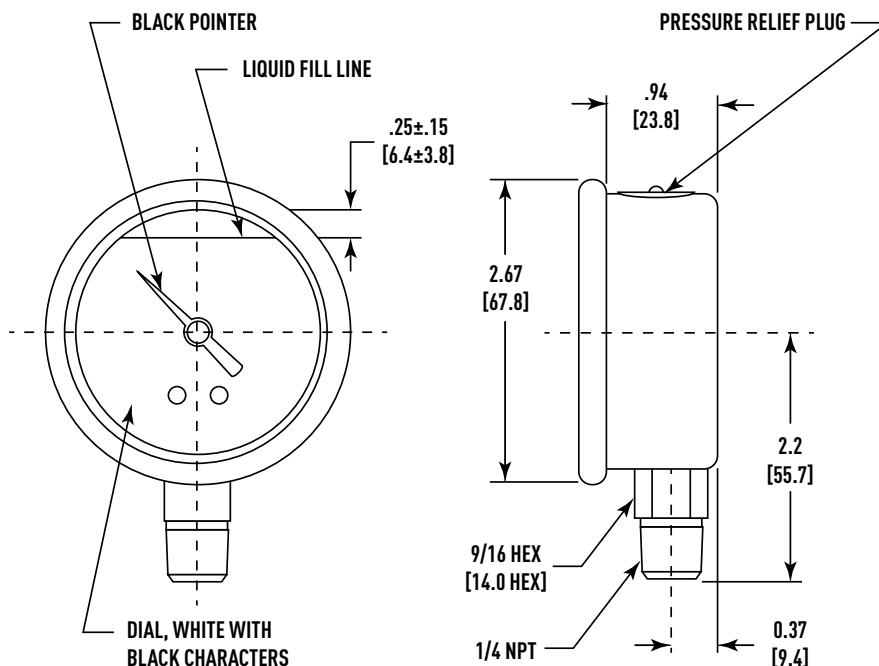


Marsh Instruments Severe Service Liquid Filled Gauges are designed to perform in rugged and harsh environmental conditions, especially where pulsation or vibration is a problem. Liquid Filled Gauges offer a significant cushioning and dampening effect, reducing pointer flutter and lubricating the internals.

Features:

- Liquid Filled for Dampening Effect
- Weatherproof/Hermetically Sealed
- Heavy Duty 1 Piece Socket Design

Product Dimensions



Product Specifications

Design

Meets/Exceeds ASME B40.100

Accuracy

±3/2/3% (ASME Grade B)

Dial Size(s)

2.5" Diameter (63 mm)

Case

304 Stainless Steel

Bezel

304 Stainless Steel - Fixed

Tube & Socket

Copper Alloy

Movement

Brass

Connection

1/4 NPT - Lower Mount

Pressure Ranges

VAC/Compound to 10,000 psi

Standard Scale

Dual Scale psi and kPa

Dial Color

Black Markings on White

Pointer

Aluminum, Black Painted

Window

Polycarbonate

Standard Case Fill

Dry

Glycerine

Silicone

Ambient Temperature

Dry: -40° to 180°F

Glycerine: 30° to 160°F

Silicone: -40° to 180°F

Vent Plug

Filter/Pressure Relief Plug

Weight

Filled 1.0 lb.

Dry 0.7 lb.