

J66R Series

Stainless Steel Case / Stainless Steel Internals / 2.5" Front Flange

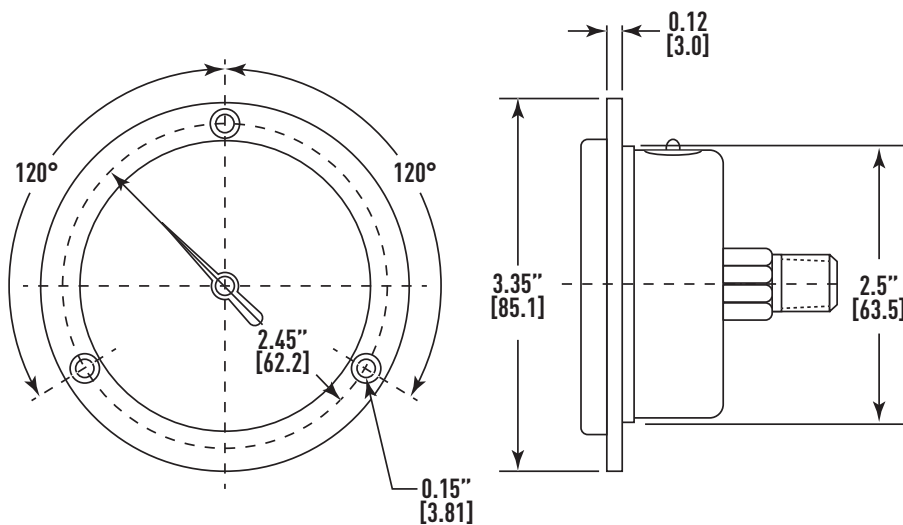


Marsh Instruments Severe Service Liquid Filled Gauges are designed to perform in rugged and harsh environmental conditions, especially where pulsation or vibration is a problem. Liquid Filled Gauges offer a significant cushioning and dampening effect, reducing pointer flutter and lubricating the internals.

Features:

- 316 Stainless Steel Internals
- Heavy Duty 1 Piece Socket Design
- Liquid Filled for Dampening Effect

Product Dimensions



Product Specifications

Design	Meets/Exceeds ASME B40.100
Accuracy	±3/2/3% (ASME Grade B)
Dial Size(s)	2.5" Diameter (63 mm)
Case	304 Stainless Steel
Bezel	304 Stainless Steel - Fixed
Tube & Socket	316 Stainless Steel
Movement	Stainless Steel
Connection	1/4 NPT - Front Flange Panel Mount
Pressure Ranges	VAC/Compound to 15,000 psi
Standard Scale	Dual Scale psi and kPa
Dial Color	Black Markings on White
Pointer	Aluminum, Black Painted
Window	Polycarbonate
Standard Case Fill	Dry Glycerine Silicone
Ambient Temperature	Dry: -40° to 180°F Glycerine: 30° to 160°F Silicone: -40° to 180°F
Vent Plug	Filter/Pressure Relief Plug
Weight	Filled 1.0 lb. Dry 0.7 lb.

Severe Service Gauges