

# HW309 Series

Stainless Steel Case / Stainless Steel Internals / 6" Lower Mount

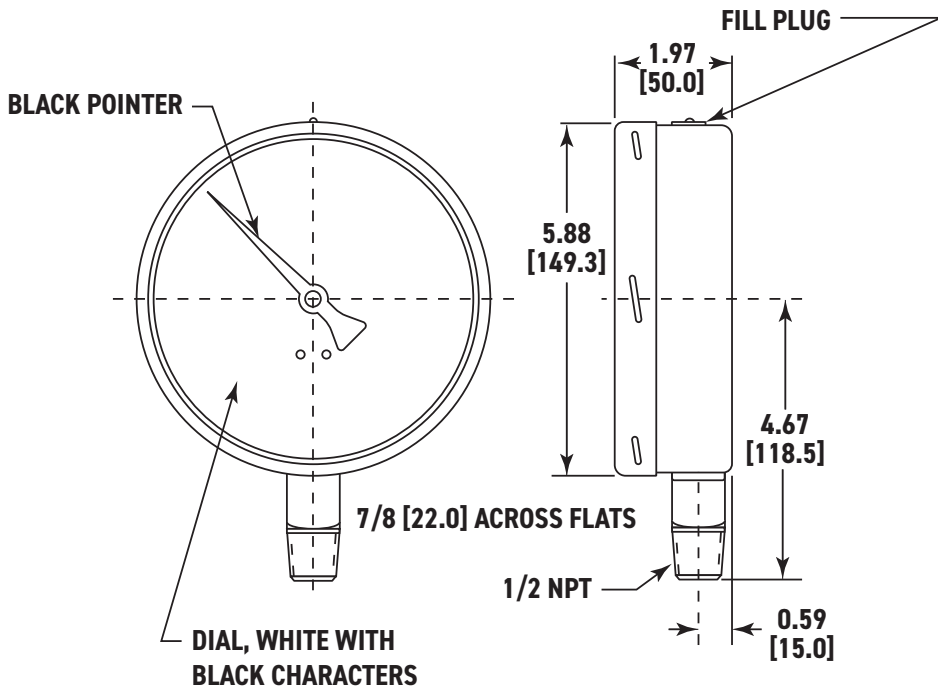


Marsh Instruments Severe Service Liquid Filled Gauges are designed to perform in rugged and harsh environmental conditions, especially where pulsation or vibration is a problem. Liquid Filled Gauges offer a significant cushioning and dampening effect, reducing pointer flutter and lubricating the internals.

## Features:

- Large, Easy to Read Dial
- Durable, Welded Case-to-Socket Connection
- 1% Full Scale Accuracy

## Product Dimensions



## Product Specifications

<b>Design</b>	Meets/Exceeds ASME B40.100
<b>Accuracy</b>	1% of Full Scale (ASME Grade A)
<b>Dial Size(s)</b>	6" Diameter (160 mm)
<b>Case</b>	304 Stainless Steel
<b>Bezel</b>	304 Stainless Steel - Removable
<b>Tube &amp; Socket</b>	316 Stainless Steel
<b>Movement</b>	Stainless Steel
<b>Connection</b>	1/2 NPT - Lower Mount
<b>Pressure Ranges</b>	VAC/Compound to 20,000 psi
<b>Standard Scale</b>	Dual Scale psi and kPa
<b>Dial Color</b>	Black Markings on White
<b>Pointer</b>	Aluminum, Black Painted, Micro-Adjustable
<b>Window</b>	Safety Glass
<b>Standard Case Fill</b>	Dry Glycerine Silicone
<b>Ambient Temperature</b>	Dry: -40° to 180°F Glycerine: 30° to 160°F Silicone: -40° to 180°F
<b>Vent Plug</b>	Filter/Pressure Relief Plug
<b>Weight</b>	Filled 1.0 lb. Dry 0.7 lb.

Severe Service Gauges