

H203/205 Series

Stainless Steel Case / Brass Internals / 4" Lower Mount

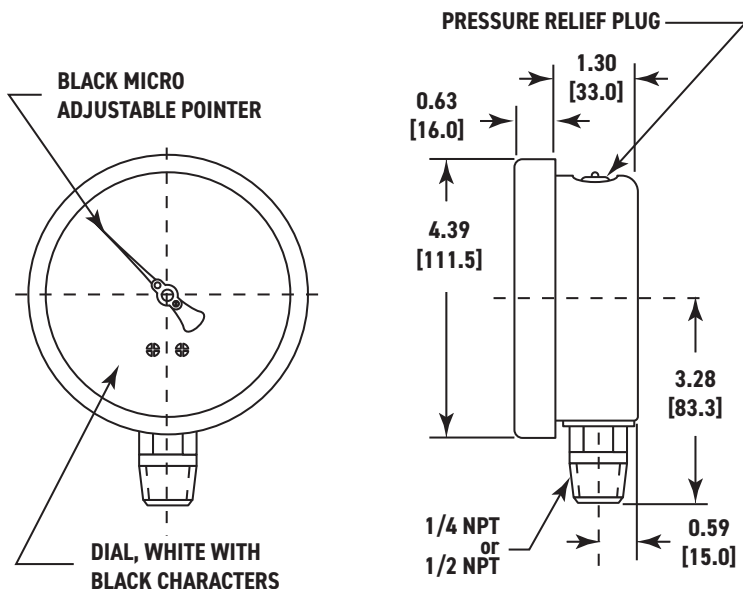


Marsh Instruments Severe Service Liquid Filled Gauges are designed to perform in rugged and harsh environmental conditions, especially where pulsation or vibration is a problem. Liquid Filled Gauges offer a significant cushioning and dampening effect, reducing pointer flutter and lubricating the internals.

Features:

- Available Liquid Filled
- 1% Full Scale Accuracy
- Removable Bezel/Adjustable Pointer

Product Dimensions



Product Specifications

Design

Meets/Exceeds ASME B40.100

Accuracy

1% of Full Scale (ASME Grade A)

Dial Size(s)

4" Diameter (100 mm)

Case

304 Stainless Steel

Bezel

304 Stainless Steel - Removable

Tube & Socket

Copper Alloy

Movement

Stainless Steel

Connection

1/4" & 1/2" NPT - Lower Mount

Pressure Ranges

VAC/Compound to 10,000 psi

Standard Scale

Single Scale psi

Dual Scale psi/kPa

Dial Color

Black Markings on White

Pointer

Aluminum, Black Painted, Micro-Adjustable

Window

Safety Glass

Standard Case Fill

Dry

Glycerine

Silicone

Ambient Temperature

Dry: -40° to 180°F

Glycerine: 30° to 160°F

Silicone: -40° to 180°F

Vent Plug

Filter/Pressure Relief Plug