

H02/42/48 Series

Heavy Duty - Increased Accuracy / 3.5" & 4.5" Lower Mount



Quality Series Gauges

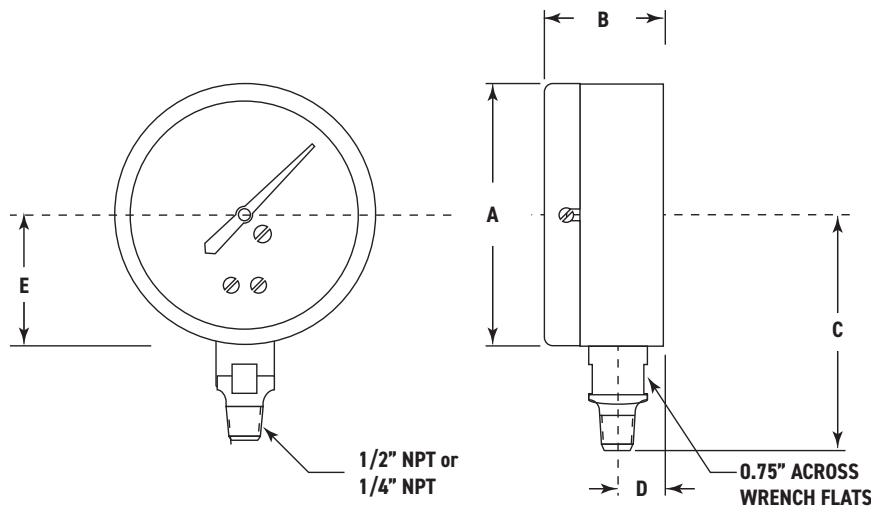


Marsh Instruments Quality Gauges feature the exclusive recalibrator and the accuracy is within $\pm 1''$ in the middle half of span. These gauges provide continuous service at an economical price.

Features:

- Recalibrator Standard on 3 1/2"
- Adjustable pointer standard on 4 1/2"
- Ranges to 20,000 psi

Product Dimensions



Product Specifications

Design

Meets/Exceeds ASME B40.100

Accuracy

$\pm 2/1/2\%$ (ASME Grade B)

Dial Size(s)

3 1/2" Diameter (89 mm)

4 1/2" Diameter (115 mm)

Case

Steel, Black Painted

Bezel

Steel, Black Painted, Removable

Tube & Socket

0-1,000 psi: Copper Alloy

1,500-20,000 psi: Stainless Steel

Movement

Stainless Steel

Connection

1/4 & 1/2 NPT - Lower Mount

Pressure Ranges

VAC/Compound to 20,000 psi

Standard Scale

Single Scale psi

Dial Color

Black Markings on White

Pointer

Aluminum, Black Painted

Window

Instrument Glass

Standard Case Fill

Dry, Non-Fillable

Ambient Temperature

-40° to 160°F

Vent Plug

N/A

Weight

3 1/2" 2.0 lb

4 1/2" 2.0 lb

Dial Size	A	B	C	D	E
3.5"	3.72"	1.69"	3.34"	0.67"	2.00"
4.5"	4.78"	1.73"	4.06"	0.55"	2.39"

Interested in ordering? Ordering information available at MarshGauges.com