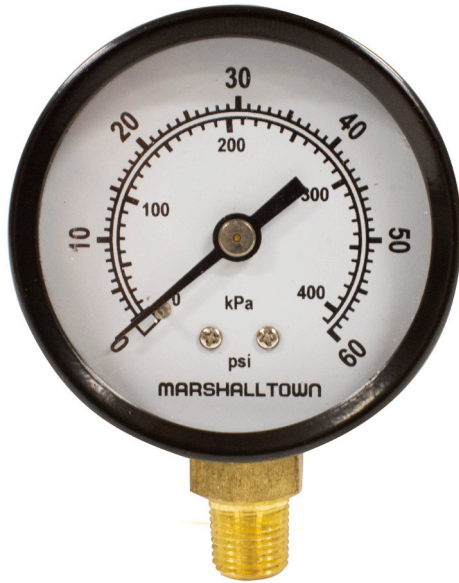


GG Series

Steel Case / Brass Internals / Lower Mount



General Service Gauges

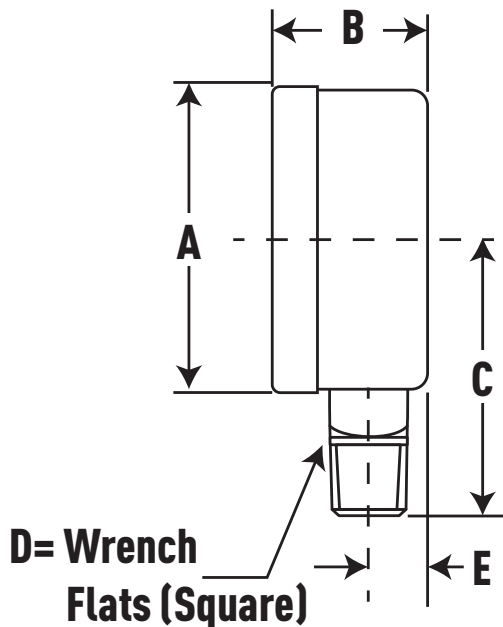


The General Service Steel Case Gauge from Marsh Instruments is a family of cost-effective, general purpose instruments designed for reliable pressure measurements. Suitable for use with water, oil, air, gas or other noncorrosive media from vacuum/compound through 5,000 psi.

Features:

- Superb quality, economical price
- Pressure ranges to 5,000 psi

Product Dimensions



Product Specifications

| | |
|----------------------------|---|
| Design | Meets/Exceeds ASME B40.100 |
| Accuracy | ±3/2/3% (ASME Grade B) |
| Dial Size(s) | 1 1/2", 2", 2 1/2", 3 1/2", 4 1/2" Diameter |
| Case | Steel, Black Painted |
| Bezel | Steel, Black Painted, Fixed |
| Tube & Socket | Copper Alloy |
| Movement | Brass |
| Connection | 1/8 & 1/4 NPT - Lower Mount |
| Pressure Ranges | VAC/Compound to 5,000 psi |
| Standard Scale | Dual Scale psi and kPa |
| Dial Color | Black Markings on White |
| Pointer | Aluminum, Black Painted |
| Window | Flat Plastic (Glass Optional) |
| Standard Case Fill | Dry, Non-Fillable |
| Ambient Temperature | -40° to 160°F |
| Vent Plug | N/A |
| Weight | |
| 1" | 0.2 lb. |
| 2" | 0.3 lb. |
| 2 1/2" | 0.4 lb. |
| 3 1/2" | 0.5 lb. |
| 4 1/2" | 0.75 lb. |

| Dial Size | Product Numbers | A | B | C | D | E |
|-----------|-----------------|-------|-------|-------|-------|-------|
| 1.5 | GG15XXL8 | 1.606 | 0.89 | 1.488 | 0.433 | 0.296 |
| 2 | GG20XXL4 | 2.047 | 1.122 | 1.787 | 0.534 | 0.376 |
| | GG20XXL8 | | | | 0.551 | 0.394 |
| 2.5 | GG25XXL4 | 2.496 | 1.134 | 1.961 | 0.543 | 0.39 |
| | GG35XXL4 | 3.488 | 1.22 | 2.717 | | 0.413 |
| 4.5 | GG45XXL4 | 4.941 | 1.142 | 3.409 | 0.551 | 0.394 |