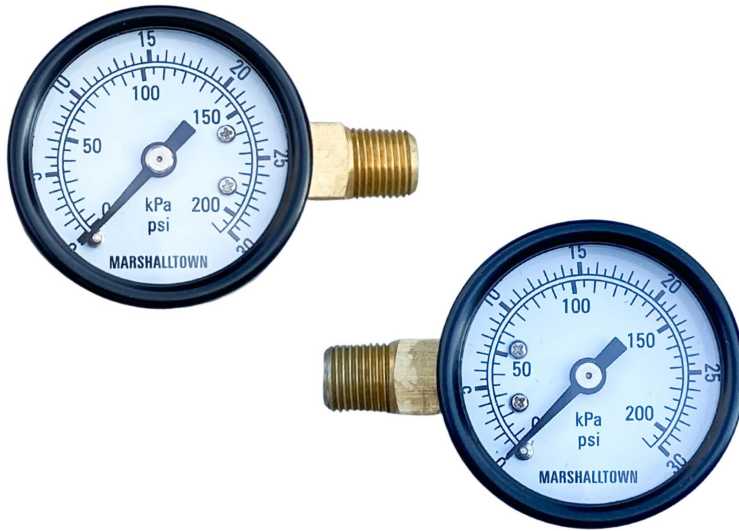


GG Series

Steel Case / Brass Internals / Left-Right Mount



General Service Gauges

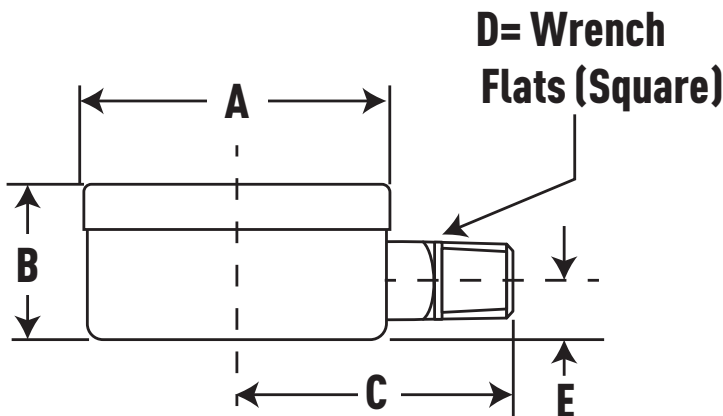


The General Service Steel Case Gauge from Marsh Instruments is a family of cost-effective, general purpose instruments designed for reliable pressure measurements. Left/right hand mount for level controller applications. Suitable for use with water, oil, air, gas or other noncorrosive media.

Features:

- Superb quality, economical price
- Designed for level controller applications

Product Dimensions



Product Specifications

Design	Meets/Exceeds ASME B40.100
Accuracy	±3/2/3% (ASME Grade B)
Dial Size(s)	1 1/2" Diameter
Case	Steel, Black Painted
Bezel	Steel, Black Painted, Fixed
Tube & Socket	Copper Alloy
Movement	Brass
Connection	1/8" - NPT
Pressure Ranges	0-30 psi, 0-60 psi, (other ranges optional)
Standard Scale	Dual Scale psi and kPa
Dial Color	Black Markings on White
Pointer	Aluminum, Black Painted
Window	Flat Plastic (Glass Optional)
Standard Case Fill	Dry, Non-Fillable
Ambient Temperature	-40° to 160°F
Vent Plug	N/A
Weight	0.2 lb.

Dial Size	Product Numbers	A	B	C	D	E
1.5	GG1530G8	1.606	0.89	1.488	0.433	0.296
1.5	GG1530F8	1.606	0.89	1.488	0.433	0.296