

D31 Series Test Gauge

Stainless Steel Case / Stainless Steel Internals / 6" Lower Mount

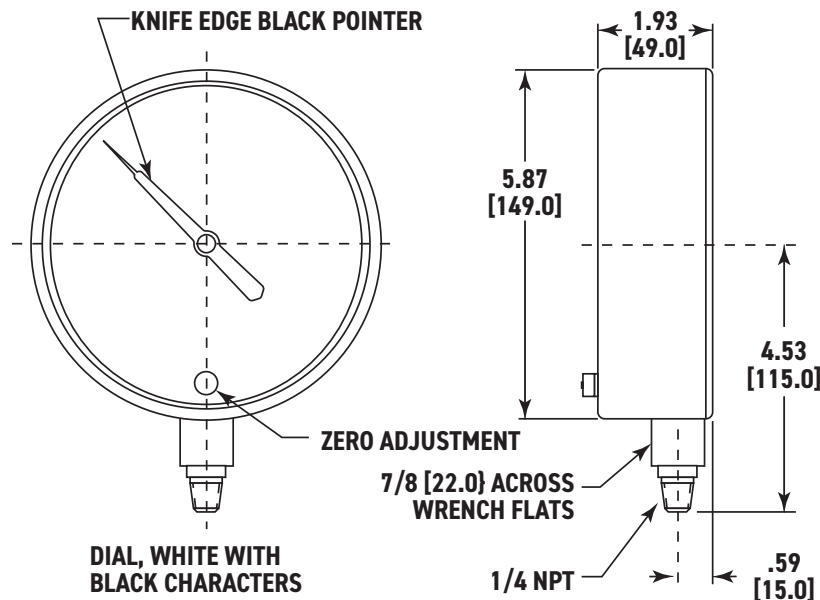


Marsh Instruments Master Test Gauges are used in laboratory and industrial environments where precise accuracy is demanded. For pressure readings to 10,000 psi, Marsh Instruments Master Test Gauges offer dependable, consistent accuracy within 0.25% of span. The pressure relieving blowout plug provides increased safety for the user.

Features:

- Knife-Edge Pointer
- External Zero Adjustment
- Ranges to 10,000 psi

Product Dimensions



Product Specifications

Design

Meets/Exceeds ASME B40.100

Accuracy

±0.25% (ASME Grade A)

Dial Size(s)

6" Diameter (150 mm)

Case

304 Stainless Steel

Bezel

304 Stainless Steel

Tube & Socket

Copper Alloy through 600 psi

316 Stainless Steel 1,000 psi and Above

Movement

Stainless Steel

Connection

1/4 NPT - Lower Mount through 600 psi

1/2 NPT - Lower Mount 1,000 psi and Above

Pressure Ranges

VAC/Compound to 10,000 psi

Standard Scale

Single Scale psi

Dial Color

Black Markings on White with Mirror Dial to Avoid Parallax

Pointer

Aluminum, Black Painted, Knife-Edge

Window

Instrument Glass

Standard Case Fill

Dry, Non-Fillable

Ambient Temperature

-40° to 180°F

Vent Plug

Blowout Plug

Weight

5.0 Lb.