

Y14 Series - Submarine Thermometer

6" Scale / Lower or Back Mount



Product Specifications

Design

Meets/Exceeds ASME B40.100

Accuracy

±1% of Scale Range

Dial Size(s)

5" Length

Case

Gray ABS Plastic

Connection & Stem

Brass 3/4 - 28" Swivel Nut, For Use with Separable Socket (Thermowell)

Movement

N/A

Temperature Ranges

-40° to 300°F

Standard Scale

Dual Scale in Celsius and Fahrenheit

Dial Color

White Coated Aluminum

Tube

Blue Liquid Fill

Window

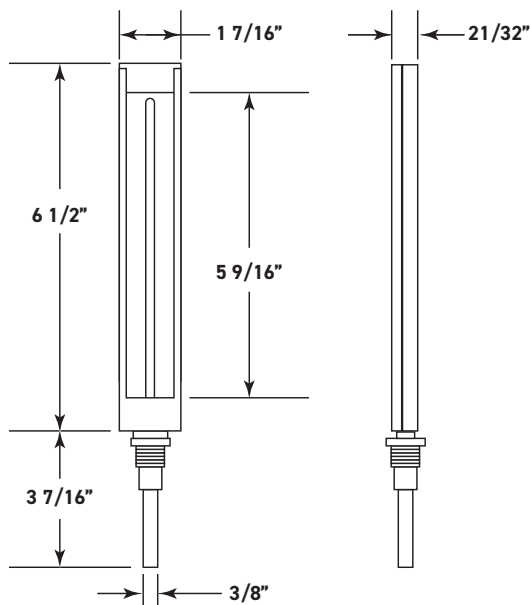
Glass

Marsh Instruments Y14 Series thermometer is manufactured to a standard accuracy of 1% span. Each Y14 Series thermometer comes with a case with blue reading spirit filled tube with magnifying lens for easy readability, and white aluminum scale with bold black graduations and figures.

Features:

- 5" Scale Size
- V-Shaped Aluminum Scale with Black Markings
- Blue Reading Organic Filled Tube
- Gray ABS Case
- 2" Nominal Stem Length for 3 1/4" Socket

Product Dimensions



Interested in ordering? Ordering information available at MarshGauges.com