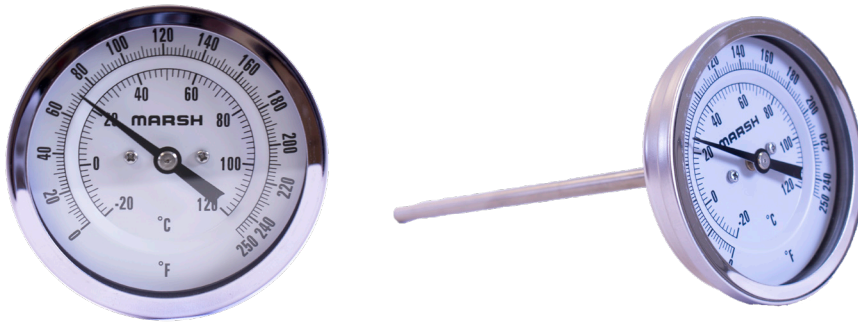


L11/31 Series - Bimetal Thermometer

Stainless Steel Case & Stem / Fixed Back Mount

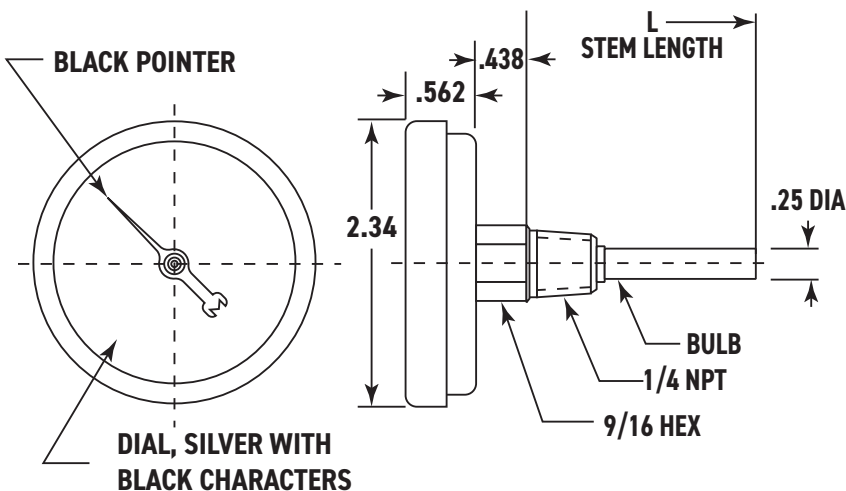


Marsh Instruments Bimetal Thermometers are heavy-duty instruments for temperature indication in dual scale ranges from -50° to 1,000°F (-40° to 525°C). Series "L" Bimetal Thermometers include an easy-to-read dual scale, fast response, and accurate temperature indication. The hermetically sealed case is resistant to shock, vibration, dust, and moisture. The bimetal sensing element provides an accuracy to within 1% of scale. An external adjustment screw on the back of the case provides convenient reset and field calibration. Built-in over-range protection is a standard feature.

Features:

- 1% Accuracy
- Stainless Steel Stem and Case Material
- Welded Stem-to-Socket Connection

Product Dimensions



Product Specifications

Design

Meets/Exceeds ASME B40.100

Accuracy

±1% of Span Throughout Entire Range
recommended 2" Immersion in Liquids,
4" in Gases

Dial Size(s)

2", 3", 5" Diameter

Case

304 Stainless Steel

Bezel

304 Stainless Steel

Stem

2 1/2", 4", 6", 9", 12", 15", 18", 24"
Stainless Steel, 1/4" Diameter

Movement

Bimetal Element - Dampened

Connection

1/4" NPT - Center Back Connection
(2" Case Only)
1/2" NPT - Center Back Connection
(3" & 5")

Temperature Ranges

-50° to 1,000°F

Standard Scale

Dual Scale in Celsius and Fahrenheit

Dial Color

Black Markings on White

Pointer

Steel, Black Painted

Window

Glass, Hermetically Sealed
Acrylic (Optional)

Standard Case Fill

Dry, Non-Fillable

Weight

N/A