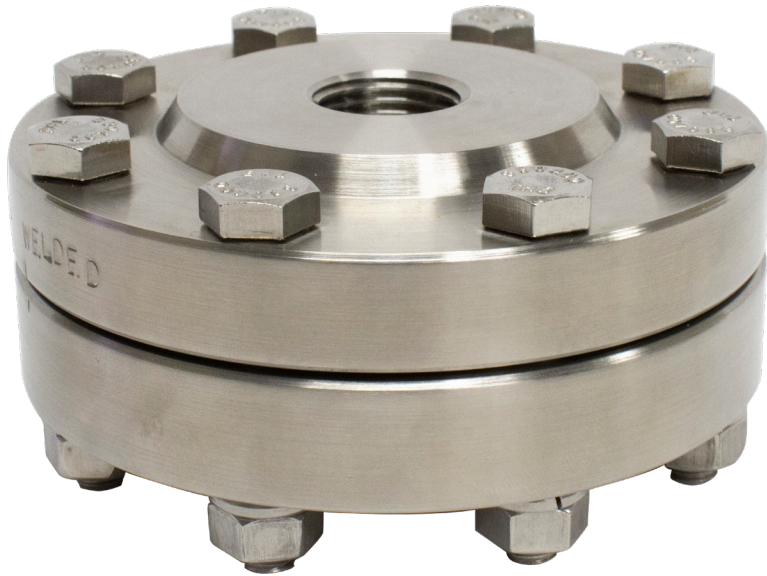


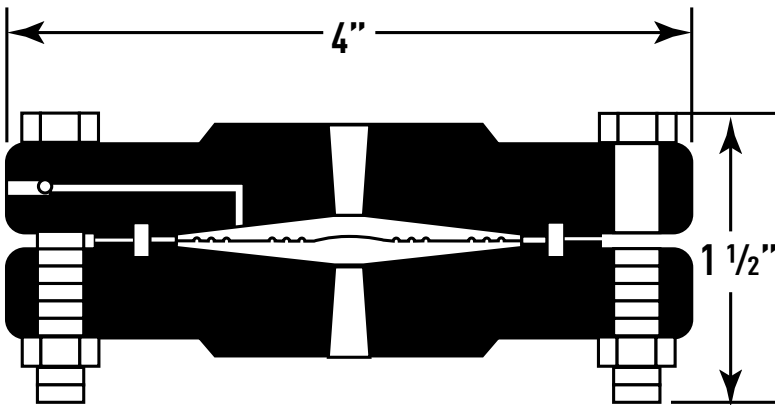
14040 Series

Full Size Diaphragm Seals



The Model 14040 Welded Diaphragm Seal is a welded diaphragm-to-upper design allowing the upper housing to be removed with the instrument in place without losing fill. Available in threaded connections for pressures from vacuum to 2,500 psi. Fill/bleed port screw in the upper is standard and an optional flush connection is available.

Product Dimensions



Product Specifications

Upper Housing Material

Carbon Steel
316 Stainless Steel

Lower Housing Material

Carbon Steel
316 Stainless Steel
Hastelloy C
Tantalum
Others Optional

Diaphragm Material

316 Stainless Steel
Hastelloy C
Tantalum
Others Optional

Instrument Connection

1/4" NPT, 1/2" NPT

Process Connection

1/4" NPT, 1/2" NPT, 3/4" NPT, 1" NPT

Flush Connection

Standard - None
1/4" NPT

Pressure Rating

Vacuum-2,500 psi

Bolts and Nuts

Carbon Steel
Stainless Steel

System Fill

Glycerine
Silicone
Syltherm
Others Optional

Options

Low Pressure- In. of H₂O
High Pressure- Up to 10,000 psi
Custom Connection Sizes
Custom Materials